

Safety-Barriers 9001

For EEx-i applications with Pt100 / Pt1000 and 0(4) ... 20 mA signals

DIN-rail mounting TS35
 Dimensions 12.2x104x70 mm (WxHxD)

Features

- Easy installation
- For evaluation instruments und signal conditioners without Ex-Certification (see connection examples) in non-Ex-areas
- For Ex-applications up to zone 1
- Earth ground with DIN rail-clamp or separate terminals

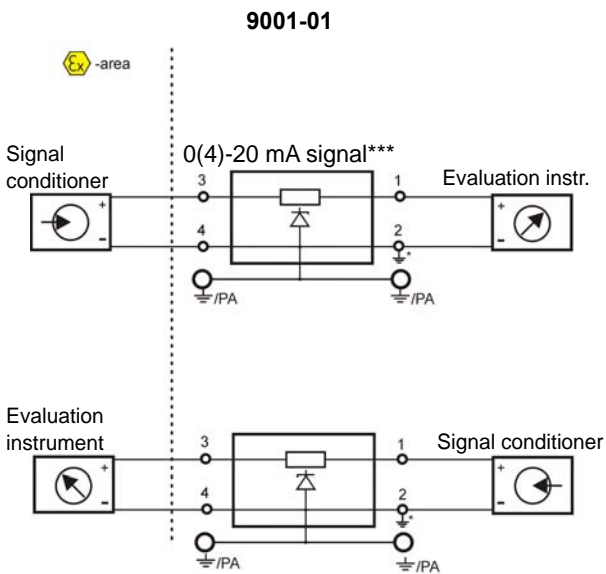


Ordering-code: 9001 -

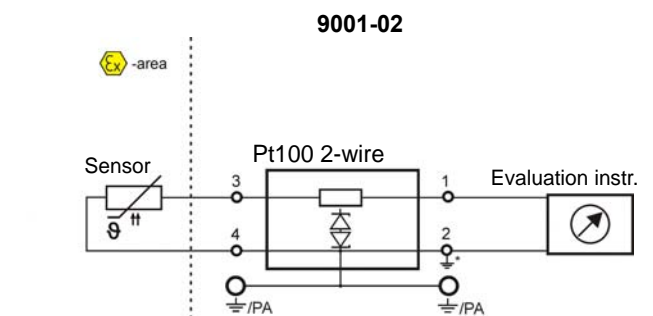
1. Measuring input (EEx-i-area zone 1)

01	0(4) ... 20 mA	UN = 24 V	R = 280 Ω	I _{max} = 79 mA
02	Pt100 / Pt1000	UN = ±0.7 V	R = 40 Ω	I _{max} = 17.5 mA

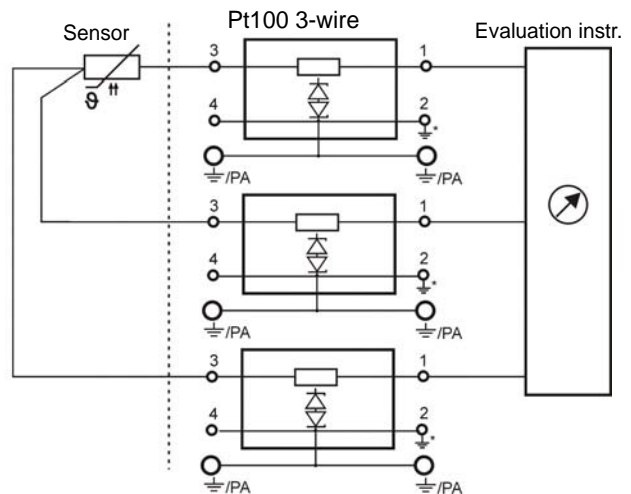
Connection examples



***The calculation of the burden for the signal conditioner, must be including the line resistant of the safety-barrier (R = 280 Ω).



The line-resistance of the safety-barrier (R = 40 Ω) must be calibrated at the evaluation instrument.



*only in connection with isolated mounting of the safety-barrier.