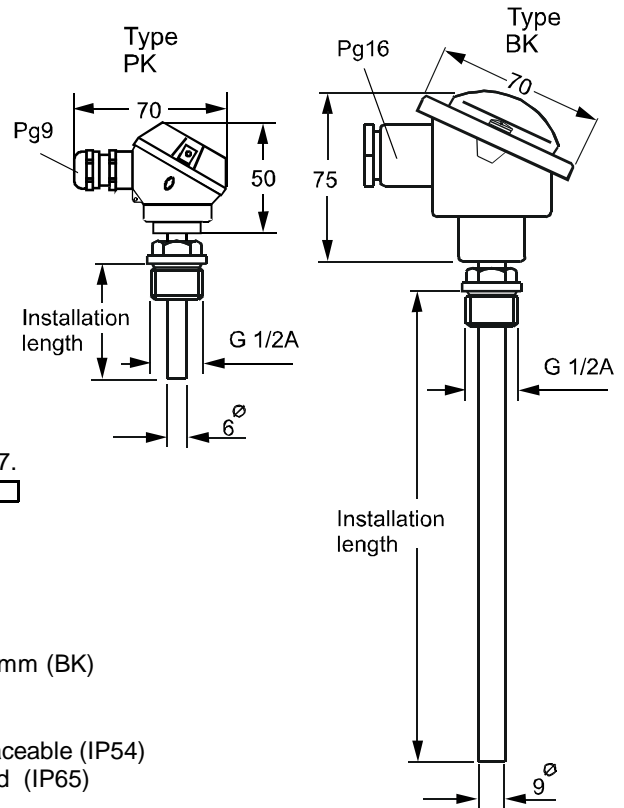


Pt100 temperature sensor 8100/A

Pt1000 temperature sensor 8100/C

Features

- RTD Pt100/Pt1000 class B, 2-wire, 3-wire application possible
- Protection sheath stainless steel 1.4571
- terminal head type B, DIN 43729
- Head protection IP54, optional IP65 (only head BKV)
- Process thread G 1/2A, SW 19



Order code: 1. - 2. - 3. - 4. - 5. - 6. - 7.

1. **Sensor type**
 8100/A Pt100
 8100/C Pt1000
2. **Number of sensor elements** (1 or 2)
3. **Protection sheath diameter** 6mm (PK) or 9mm (BK)
4. **Installation length [mm]**
5. **Terminal head**
 BK type B (standard), element replaceable (IP54)
 BKV type B with sealed-in cable gland (IP65)
 PK type P small head (IP54)
6. **Max. operating temperature [°C]**
7. **Other features on request**

Stock

Type

- 8100/A - 1 - 6 - 40 - G 1/2A - PK - 300°C
- 8100/A - 1 - 9 - 100 - G 1/2A - BK - 400°C
- 8100/A - 1 - 9 - 160 - G 1/2A - BK - 400°C
- 8100/A - 1 - 9 - 250 - G 1/2A - BK - 400°C
- 8100/A - 1 - 9 - 400 - G 1/2A - BK - 400°C
- 8100/A - 1 - 9 - 600 - G 1/2A - BK - 400°C
- 8100/A - 2 - 9 - 100 - G 1/2A - BK - 400°C
- 8100/A - 2 - 9 - 160 - G 1/2A - BK - 400°C
- 8100/A - 2 - 9 - 250 - G 1/2A - BK - 400°C
- 8100/C - 1 - 6 - 40 - G 1/2A - PK - 300°C
- 8100/C - 1 - 6 - 80 - G 1/2A - PK - 300°C