

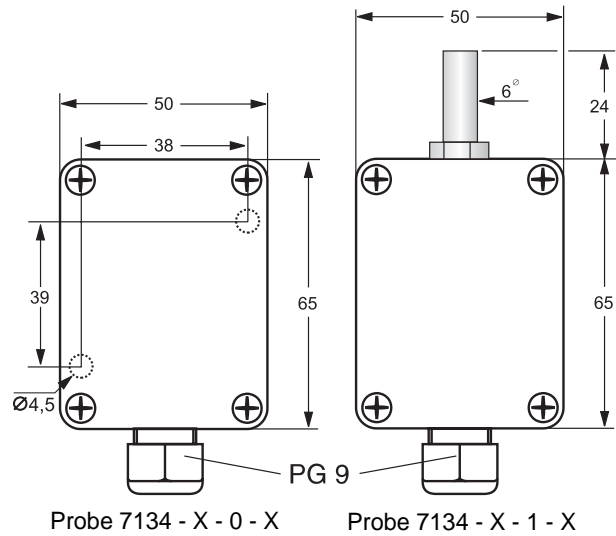
Pt100 Air-Temperature Probe 7134/7135

Features

- Resistance RTD, Pt100
- Operating temperature **-50 °C ... +90 °C**
- Measuring element inside- or outside
- Case polycarbonate, white
- Protection IP65
- Screw terminals

Ordering code: 7134 - 1. - 2. - 3.

1. **Number of element** (1 or 2)
2. **Measuring element**
 0 inside
 1 outside
3. **Accuracy** (Class)
 B (Standard)
 A



Stock

Type

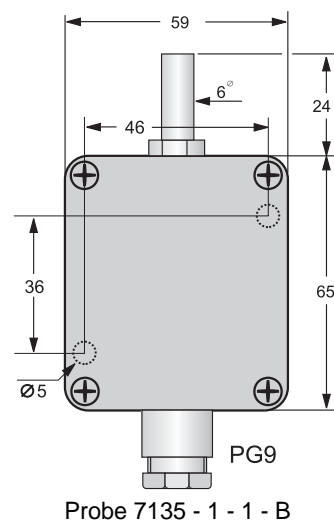
- 7134 - 1 - 0 - B
- 7134 - 1 - 0 - A
- 7134 - 1 - 1 - B
- 7134 - 1 - 1 - A

Features

- Resistance RTD, Pt100
- Operating temperature **-40 °C ... +120 °C**
- Measuring element outside
- Aluminium case RAL 7001, with silicon seal
- Protection IP65
- Screw terminals

Ordering code: 7135 - 1. - 2. - 3.

1. **Number of elements**
 1 1 measuring element
2. **Measuring element**
 1 outside
3. **Accuracy class**
 B (Standard)



Stock

Type

- 7135 - 1 - 1 - B