

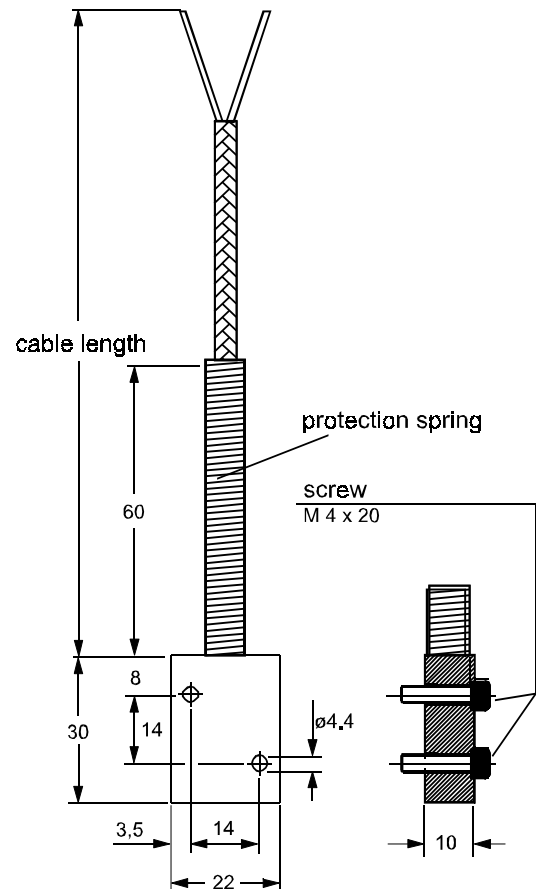
## Pt100 surface temperature sensor 7131

### Features

- Resistance Pt100 class B 2-wire
- Protection sheath, brass nickel plated
- Cable type fibreglass insulation with steel wire brading, or Teflon-Silicon (TeSi) and protection spring

Order Code: 7131 -  1. -  2. -  3. -  4.

1. number of Pt100 elements (1 or 2)
2. cable length [mm]
3. max. working temperature[°C]
4. other features on request



Stock

Type

7131 - 1 - 2000 - 400°C