

Pt100 Magnet-Temperature Sensor 7130M

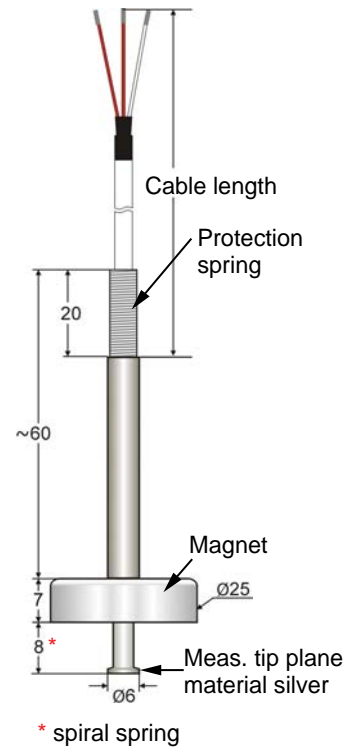
Temperature measurement at metallic surfaces

Features

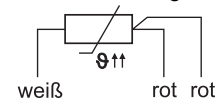
- Resistance RTD Pt100 class B DIN EN 60751
- Measuring tip material silver
Max. temperature at measuring tip 190 °C
- Magnet mounting
- Tip press-on via integr. spiral spring
- Protection spring 20 mm, stainless steel
- Cable type Teflon (PTFE-PTFE)

Ordering-code: 7130M - 1. - 2. - 3. - 4.

1. **Number of elements** (1 or 2 elements)
2. **Type of connection**
2L 2-wire
3L 3-wire
3. **Cable length** [mm]
4. **Other features on request**



Connection diagram



Stock

Type

7130M-1-3L-2000-00

7130M-2-2L-2000-00